



## WLC635/532-5-LGCPxxm

These modulated red and green LASER modules are composed of a diode, a TTL modulated electronic driver and a line-generation optic system, all packaged in an aluminum case. Each device features an anti-reflex treated high-quality glass lens assuring a good collimation and a limited diffraction. Output power is stabilized over the entire temperature range.

### Features

- High quality LASER diode
- High quality glass lens
- Class 2 stabilized output power
- Line generator

### Applications

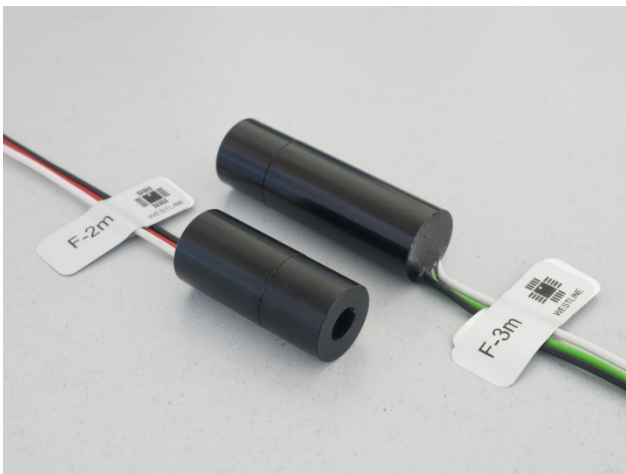
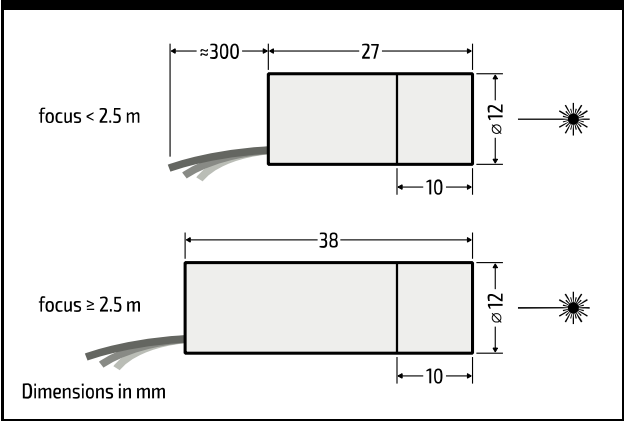
- Alignment systems
- Particles detection
- Smoke detection
- Distance measurement
- Protection areas
- Security systems

### Technical specifications

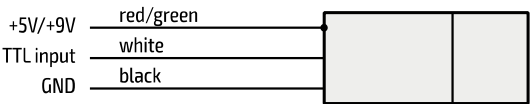
Power supply (red) ..... 5 V<sub>DC</sub> ±10% / 50 mA typ.  
 Power supply (green) ..... 9 V<sub>DC</sub> ±10% / 80 mA typ.  
 Output power ..... < 1 mW<sup>1</sup>  
 Modulation ..... TTL 10 kHz ÷ 10 MHz, 50% duty cycle  
 Wavelength (red) ..... 630 – 645 nm, 635 nm typ.  
 Wavelength (green) ..... 510 – 540 nm, 532 nm typ.  
 Line width ..... ≤ 1 mm @ 4 m  
 Line length ..... ≥ 4 m @ 4 m  
 Divergence..... 0.4 mrad max.  
 Boresight ..... 5 mrad typ.  
 Focus accuracy..... ±0.5 m  
 Operating humidity ..... ≤ 80%, non-condensing  
 Operating temperature ..... -10 – 50 °C  
 Weight ..... 10 g

<sup>1</sup> Measured on a 7mm aperture at 100mm

### Mechanical data



### External connections



Connection	WLC635		WLC532	
	Power supply	+5 V <sub>DC</sub>	red	+9 V <sub>DC</sub>
TTL modulation signal	white			
Ground	black			

### Ordering code

WLC**635**-5-LGCP**3,5**m

Wavelength	Focus		Length	
	635	red		1.5
532	green	2	2 m	27 mm
		2.5	2.5 m	38 mm
		3	3 m	38 mm
		3.5	3.5 m	38 mm
		4	4 m	38 mm
		4.5	4.5 m	38 mm
		5	5 m	38 mm
		7 <sup>2</sup>	≥7 m	38 mm

<sup>2</sup> Over 7 m the spot is collimated.

