



WLC635/532-5-LGCPxxm

These modulated red and green LASER modules are composed of a diode, a TTL modulated electronic driver and a line-generation optic system, all packaged in an aluminum case. Each device features an anti-reflex treated high-quality glass lens assuring a good collimation and a limited diffraction. Output power is stabilized over the entire temperature range.

Features

- High quality LASER diode
- High quality glass lens
- Class 2 stabilized output power
- Line generator

Applications

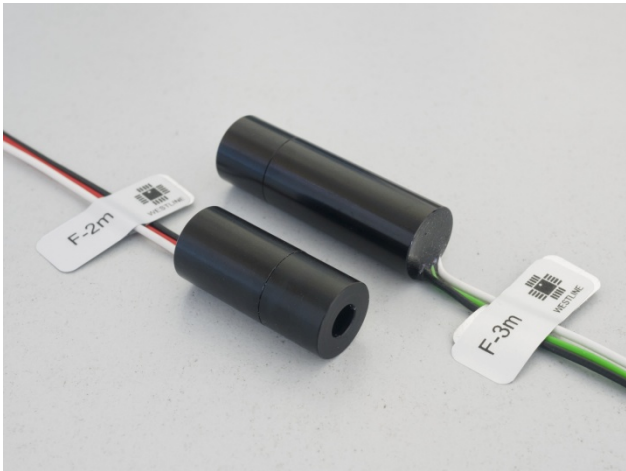
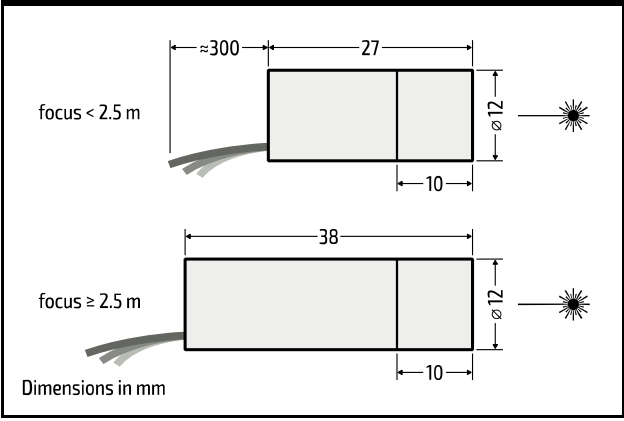
- Alignment systems
- Particles detection
- Smoke detection
- Distance measurement
- Protection areas
- Security systems

Technical specifications

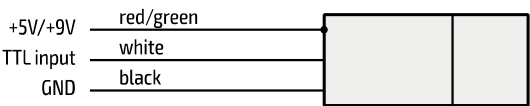
Power supply (red) 5 V_{DC} ±10% / 50 mA typ.
 Power supply (green) 9 V_{DC} ±10% / 80 mA typ.
 Output power < 1 mW*
 Modulation TTL 10 kHz ÷ 10 MHz, 50% duty cycle
 Wavelength (red) 630 – 645 nm, 635 nm typ.
 Wavelength (green) 510 – 540 nm, 532 nm typ.
 Line width ≤ 1 mm @ 4 m
 Line length ≥ 4 m @ 4 m
 Divergence..... 0.4 mrad max.
 Boresight 5 mrad typ.
 Focus accuracy..... ±0.5 m
 Operating humidity ≤ 80%, non-condensing
 Operating temperature -10 – 50 °C
 Weight 10 g

* measured on a 7mm aperture at 100mm

Mechanical data



External connections



Connection	WLC635		WLC532	
	Power supply	+5 V _{DC}	red	+9 V _{DC}
TTL modulation signal	white			
Ground	black			

Ordering code

WLC**635**-5-LGCP**3,5**m

Wavelength		Focus	Length
635	red	1.5	27 mm
		2	27 mm
532	green	2.5	38 mm
		3	38 mm
		3.5	38 mm
		4	38 mm
		4.5	38 mm
		5	38 mm
		7	38 mm

